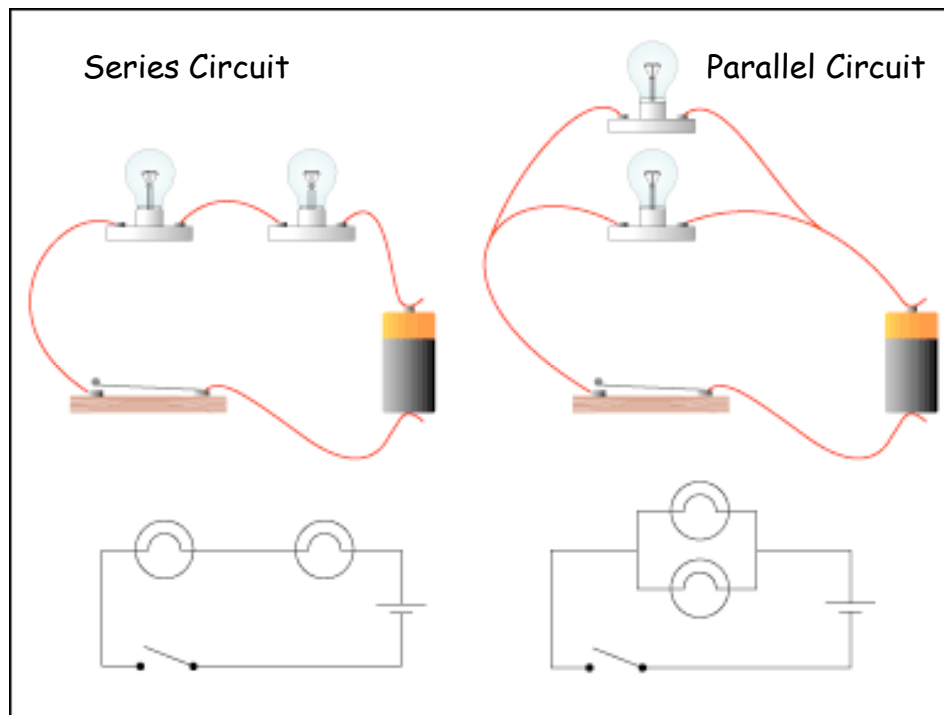
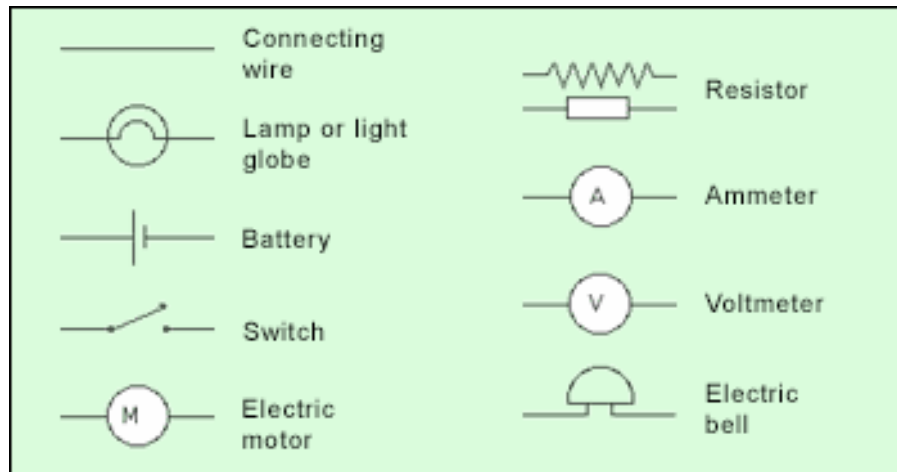


## Electric Symbols and Circuits

In an electric circuit these basic symbols are used so that there is a common language.



In a **series circuit** (left-hand side) the current flows through one globe after another, each being able to make use of only a part of the energy carried by the current. In a series circuit, if one of the globes blows and current can no longer pass through it, the current cannot flow in the circuit at all.

In a **parallel circuit** (right-hand side) the current can pass simultaneously through each globe and the energy of the current is available to each globe. In a parallel circuit, if one of the globes blows and current can no longer pass through it, the current can continue to flow through the rest of the circuit.